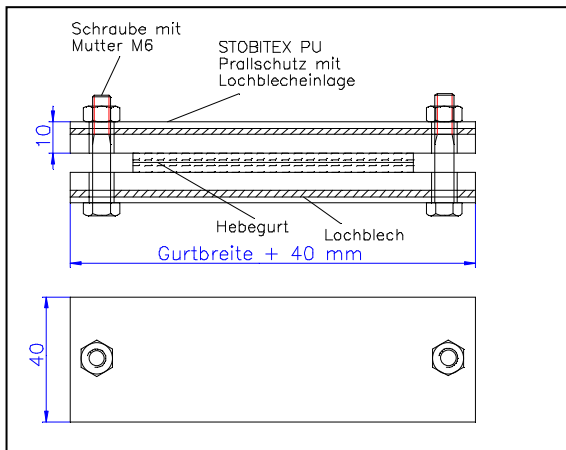


# NEW

## STOBITEX - PU Sleeve Stopper



- No more sleeves slipping off the lifting belt.
- Webbing protection with flexible PU
- Outstanding clamping effect with PU elastomer
- Handling: simply place around the belt ends and screw the jaws together. The belt is then reliably clamped in place and the sleeve is fixed.



### standard sizes

Name	For belt width	Weight per unit (approx.)	
		Material thickness of general version 10 mm	Material thickness of heavy load version with recessed screw head 20 mm
SST 30	30 mm	140 g	205 g
SST 60	60 mm	180 g	280 g
SST 90	90 mm	225 g	355 g
SST 120	120 mm	270 g	430 g
SST 150	150 mm	315 g	505 g
SST 180	180 mm	360 g	580 g
SST 240	240 mm	450 g	730 g
SST 300	300 mm	540 g	880 g

other sizes and designs on request.  
All sizes are approximate! Techn. changes reserved.

Status 01/12

Stockmeier & Nauer Kunststofftechnik  
GmbH & Co. KG  
Zeppelinstr. 16  
32051 Herford  
GERMANY  
Tel. +49/5221/9265-0 Fax: - 10