

STOBITEX / STOBIFORM - PU Edge Protection



STOBITEX / STOBIFORM - PU Edge protection are available as protective plates and as moulded pieces.

- Protection of webbing material, chains and ropes
- Even load distribution
- Easy handling with magnetic attachment or eyelets
- Extension of service life
- Universal use for lifting and lashing

- **STOBITEX PU Sharp Edge Protection Plates DF**
- **STOBIFORM PU Edge Protection KW (with or without magnet)**
- **STOBIFORM PU Edge Protection KWL with perforated metal insert**
- **STOBIFORM PU Edge Protection KWLG Joint Edge Protection (with or without magnet)**
- **STOBIFORM PU Edge Protection KWS for chains and ropes**
- **STOBIFORM PU Edge Protection KWE heavy load edge protection with steel insert (with or without magnet)**

STOBITEX - PU Sharp Edge Protection Plates "DF"



STOBITEX PU-Elastomer sharp edge protection plates "DF" can be used wherever there are sharp edges to be protected or where damage to lifting materials needs to be prevented. The protective plates are applied during the load fastening / lashing operation. The lashing belt is threaded through the two openings, so that the plate can slide freely along the belt. During the lashing process the belt can thus slide over the plate, avoiding damage due to no direct contact between the belt and sharp edges. The minimum plate thickness "d" recommended to afford good cut protection is 4 mm.

Plates can be supplied in all sizes Standard sizes are listed in the table.

Name	Length *Width (mm)	Recess a * b (mm)	Weight per unit approx.
DF 25	250 * 80	25 * 10	0,11 Kg
DF 35	250 * 80	35 * 10	0,12 Kg
DF 55	300 * 100	55 * 10	0,17 Kg
DF 60	450 * 100	60 * 30	0,26 Kg
DF 70	450 * 120	70 * 30	0,30 Kg
DF 80	450 * 120	80 * 30	0,31 Kg
DF 90	470 * 130	90 * 40	0,33 Kg
DF 110	470 * 150	110 * 40	0,40 Kg
DF 130	470 * 170	130 * 40	0,43 Kg
DF 160	470 * 200	160 * 40	0,48 Kg
DF 200	470 * 240	200 * 40	0,54 Kg
DF 220	470 * 240	220 * 40	0,57 Kg
DF 250	500 * 280	250 * 40	0,70 Kg
DF 320	600 * 400	320 * 40	1,33 Kg
DF 420	600 * 500	420 * 40	1,93 Kg

Layer thickness d approx. 5 mm

Other sizes on request.

All sizes are approximate!

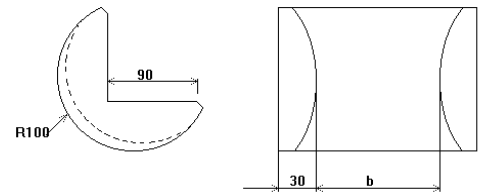
Techn. changes reserved.

Stockmeier & Nauer Kunststofftechnik
GmbH & Co. KG
Zeppelinstr. 16
32051 Herford
GERMANY
Tel.+49/05221/9265-0 Fax: - 10

STOBIFORM - PU Edge Protection "KW"



STOBIFORM - STOBIFORM - PU Edge Protection "KW" is used to lift extremely sharp-edged loads such as metal coils. They can easily be attached to the corners with magnets (optional). The edge protection can be supplied for lifting sling widths of 65 to 300 mm or for ropes up to 40 mm in diameter. The edge protection can also be installed (as a special version) with a radius on the load side that corresponds with the inner diameter of the metal coil to be lifted. This achieves an extremely even distribution of force.



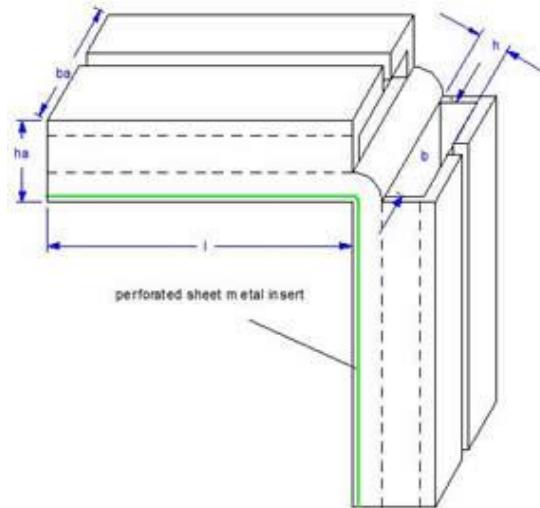
Name	For belt width b up to	Weight per unit without magnet (Kg)	weight per unit with magnet (Kg)	Number of magnets
KW 25	25 mm	0,6	0,7	2
KW 40	40 mm	0,7	0,8	2
KW 65	65 mm	0,8	1,0	2
KW 75	75 mm	0,9	1,2	4
KW 100	100 mm	1,1	1,5	4
KW 125	125 mm	1,3	1,6	4
KW 150	150 mm	1,5	1,9	4
KW 200	200 mm	2,1	2,6	6
KW 300	300 mm	2,8	3,5	8

Other sizes and designs on request

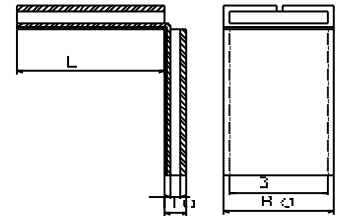
Design with perforated metal bracket as an insert can also be supplied.

All sizes are approximate! Techn. changes reserved.

STOBIFORM - PU Edge Protection KWL



PU Edge Protection KWL is designed for use with polyester lifting slings. They are flatter than the Edge Protection KW. The stability results from the use of a perforated metal bracket cast into the polyurethane matrix. The polyester lifting slings are easily inserted into the Edge Protection KWL using the separation and guide on the top side.

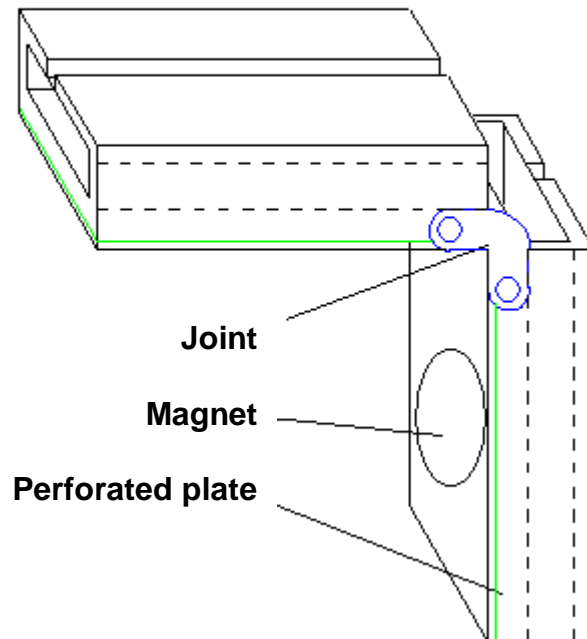


For belt width	L (mm)	W (mm)	Ba (mm)	H (mm)	Ha (mm)	Weight approx.
30 mm	100	40	50	10	20	0,30 Kg
60 mm	100	70	80	12	30	0,45 Kg
90 mm	100	100	110	12	30	0,60 Kg
120 mm	100	135	145	12	30	1,00 Kg
150 mm	150	160	170	12	30	1,40 Kg
180 mm	150	190	200	12	30	1,70 Kg
240 mm	200	280	300	15	40	3,00 Kg
300 mm	200	320	340	20	45	4,50 Kg

Other sizes and designs on request
All sizes are approximate!
Techn. changes reserved.

STOBIFORM - PU Edge Protection KWL **with Joint and Magnet**

KWL with joint and magnet



The KWL with joint is a special form of the KWL Edge Protection.
The KWLG can be used wherever it is not possible to attach at right angles. They are also available with a magnet.

Name	For belt width up to	Number of magnets	Approx. weight
KWLG 60	60 mm	2	1,0 Kg
KWLG 90	90 mm	2	1,2 Kg
KWLG 120	120 mm	4	1,5 Kg
KWLG 150	150 mm	4	1,7 Kg
KWLG 180	180 mm	4	1,9 Kg
KWLG 240	240 mm	6	2,3 Kg
KWLG 300	300 mm	8	2,6 Kg

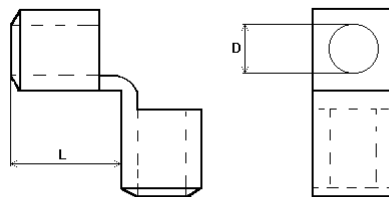
The version without magnets is also available in other designs and sizes on request.

All sizes are approximate. Inner height approx. 12 mm.

All sizes are approximate! Techn. changes reserved.

Stockmeier & Nauer Kunststofftechnik
GmbH & Co. KG
Zeppelinstr. 16
32051 Herford
GERMANY
Tel. +49/5221/9265-0 Fax: - 10

STOBIFORM - PU Edge Protection "KWS"



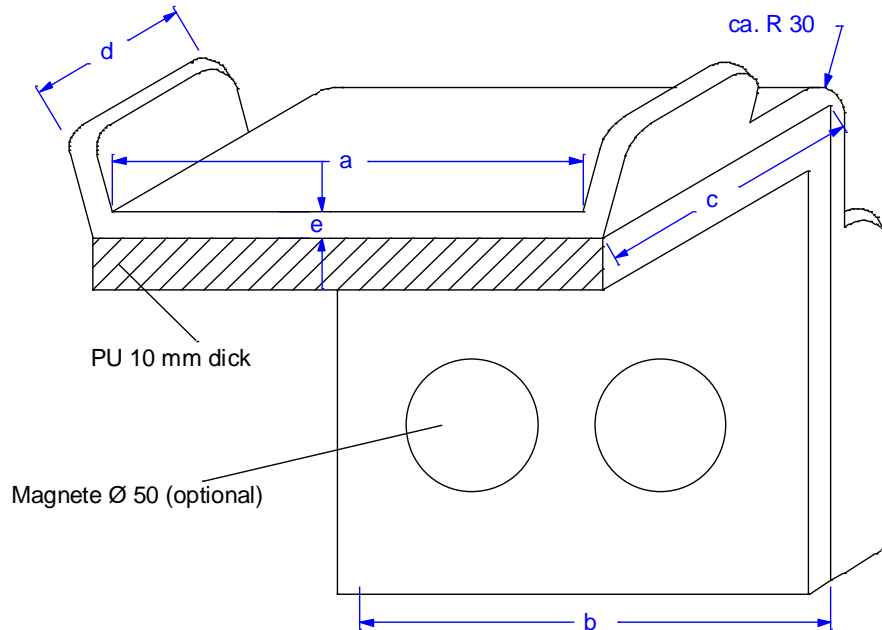
Another special design of the STOBIFORM - PU Edge Protection is the edge protection for fibre and steel ropes called "KWS", which can be supplied in 2 sizes. It has round openings, which the ropes are pulled through. Concentrated loads are therefore distributed over an area. This protects both the lifting attachment and load.

Name	Diameter D	Length L	Approx. weight per unit
KWS 25	30 mm	80 mm	0,3 Kg
KWS 40	50 mm	125 mm	1,0 Kg

Material: Polyurethane Elastomer approx. 80 Shore A,
Other sizes and designs on request.
All sizes are approximate! Techn. changes reserved.

Stockmeier & Nauer Kunststofftechnik
GmbH & Co. KG
Zeppelinstr. 16
32051 Herford
GERMANY
Tel. +49/5221/9265-0 Fax: - 10

STOBIFORM - Steel Edge Protection "KWE" with PU Coating



The heavy load edge protection KWE is used where the use of other edge protections is not possible due to the circumstances. High safety potential is guaranteed due to the full 6 mm thick steel insert.

Name	For belt width up to	Weight bearing capacity	a	b	c	d	e	Number of magnets	Approx. weight per unit
		to	mm	mm	mm	mm	mm	(optional)	
KWE 30	30 mm	1	40	(45)	100	90	6	2	0,85 Kg
KWE 60	60 mm	2	70	(75)	100	90	6	2	1,20 Kg
KWE 90	90 mm	3	110	(120)	100	90	6	2	1,60 Kg
KWE 120	120 mm	4	130	(140)	100	90	6	4	2,05 Kg
KWE 150	150 mm	5	170	(180)	100	90	6	4	2,50 Kg
KWE 180	180 mm	6	190	(200)	100	90	6	4	2,80 Kg
KWE 240	240 mm	8	250	(260)	100	90	6	6	3,60 Kg
KWE 300	300 mm	10	310	(320)	100	90	6	8	4,40 Kg
KWE 600	600 mm	-	620	(650)	100	90	6	16	8,50 Kg

Other sizes and designs on request.

The steel insert is blank.

Also available: top side paint coating in the colour of the corresponding tonnage according to DIN EN 1492 – 1/2 : 9 %



All sizes are approximate! Techn. changes reserved..

Stockmeier & Nauer Kunststofftechnik
 GmbH & Co. KG
 Zeppelinstr. 16
 32051 Herford
 GERMANY
 Tel. +49/5221/9265-0 Fax: - 10

Status 11/11