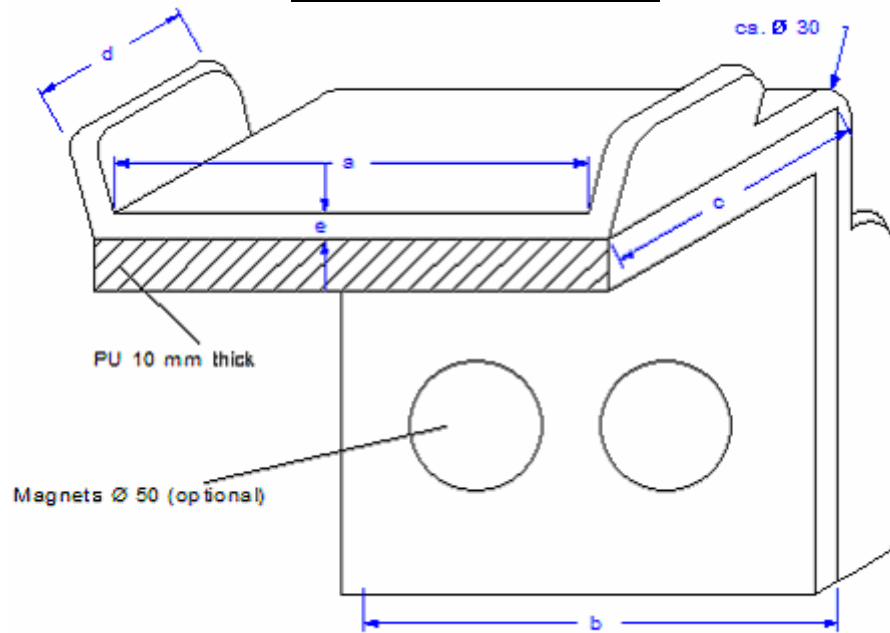


# STOBIFORM - Steel Edge Protection "KWE" with PU Coating



The heavy load edge protection KWE is used where the use of other edge protections is not possible due to the circumstances. High safety potential is guaranteed due to the full 6 mm thick steel insert.

Name	For belt width up to	Weight bearing capacity	a	b	c	d	e	Number of magnets	Approx. weight per unit
		to	mm	mm	mm	mm	mm	(optional)	
KWE 30	30 mm	1	40	(45)	100	90	6	2	0,85 Kg
KWE 60	60 mm	2	70	(75)	100	90	6	2	1,20 Kg
KWE 90	90 mm	3	110	(120)	100	90	6	2	1,60 Kg
KWE 120	120 mm	4	130	(140)	100	90	6	4	2,05 Kg
KWE 150	150 mm	5	170	(180)	100	90	6	4	2,50 Kg
KWE 180	180 mm	6	190	(200)	100	90	6	4	2,80 Kg
KWE 240	240 mm	8	250	(260)	100	90	6	6	3,60 Kg
KWE 300	300 mm	10	310	(320)	100	90	6	8	4,40 Kg
KWE 600	600 mm	-	620	(650)	100	90	6	16	8,50 Kg

Other sizes and designs on request.

The steel insert is blank.

**Also available: top side paint coating in the colour of the corresponding tonnage according to DIN EN 1492 – 1/2 : 9 %**



All sizes are approximate! Techn. changes reserved..

Stockmeier & Nauer Kunststofftechnik  
GmbH & Co. KG  
Zeppelinstr. 16  
32051 Herford  
GERMANY  
Tel. +49/5221/9265-0 Fax: - 10

Status 11/16