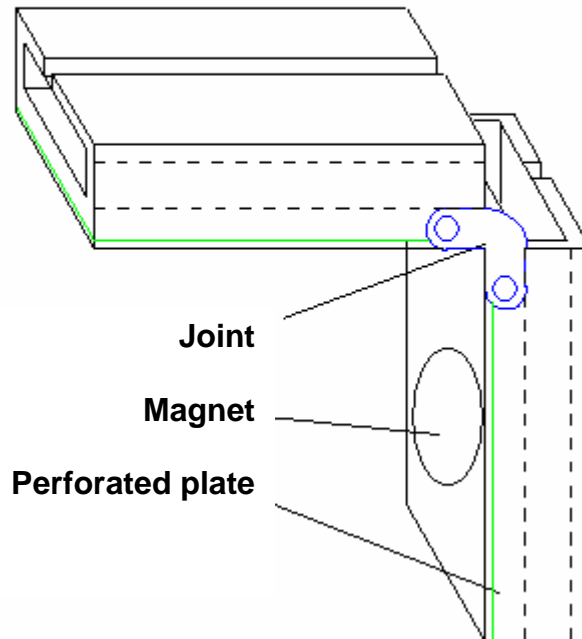


# STOBIFORM - PU Edge Protection KWL with Joint and Magnet

## KWL with joint and magnet



The KWL with joint is a special form of the KWL Edge Protection. The KWL can be used wherever it is not possible to attach at right angles. They are also available with a magnet.

Name	For belt width up to	Number of magnets	Approx. weight
KWLG 60	60 mm	2	1,0 Kg
KWLG 90	90 mm	2	1,2 Kg
KWLG 120	120 mm	4	1,5 Kg
KWLG 150	150 mm	4	1,7 Kg
KWLG 180	180 mm	4	1,9 Kg
KWLG 240	240 mm	6	2,3 Kg
KWLG 300	300 mm	8	2,6 Kg

**The version without magnets is also available in other designs and sizes on request.**

All sizes are approximate. Inner height approx. 12 mm.

All sizes are approximate! Techn. changes reserved.

Stockmeier & Nauer Kunststofftechnik  
GmbH & Co. KG  
Zeppelinstr. 16  
32051 Herford  
GERMANY  
Tel. +49/5221/9265-0 Fax: - 10