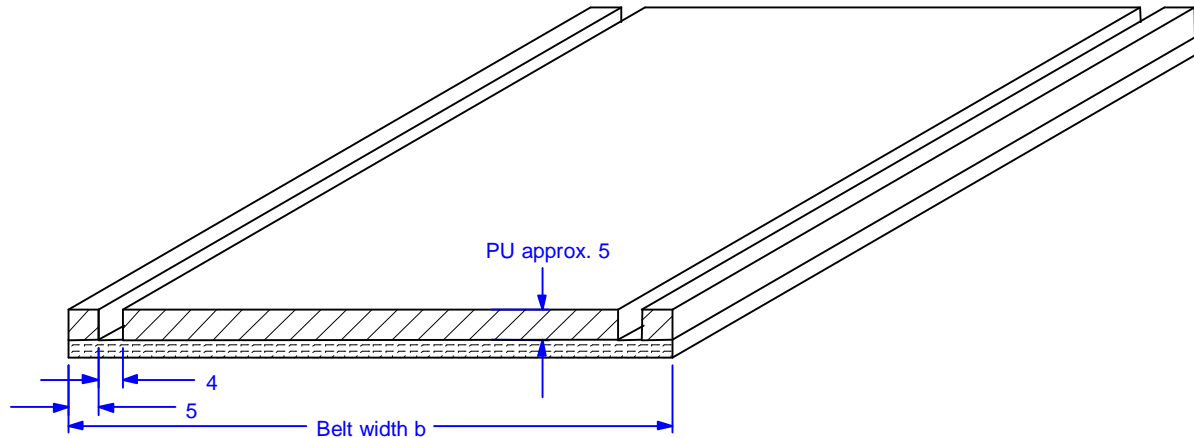


STOBITEX - PU-Coatings with groove on polyester webbing to sew on



This is the STOBITEX PU coating to sew!

Ideally suited for keeping stocks. You send us webbing, which we will coat with PU. With the two grooves you can use this coated webbing to sew on the sling.

This saves time and freight costs!

Coating length: Standard: 4 m to 8 m.

It is also possible to coat rolls up to a length of 20 m.

| Belt width b | Weight of PU layer per m approx. |
|--------------|----------------------------------|
| 50 mm | 0,35 Kg |
| 60 mm | 0,43 Kg |
| 75 mm | 0,54 Kg |
| 90 mm | 0,65 Kg |
| 100 mm | 0,72 Kg |
| 120 mm | 0,87 Kg |
| 150 mm | 1,08 Kg |

Other sizes on request.

All sizes are approximate! Techn. changes reserved.

Stockmeier & Nauer Kunststofftechnik
GmbH & Co. KG
Zeppelinstr. 16
32051 Herford
GERMANY
Tel.+49/05221/9265-0 Fax: - 10