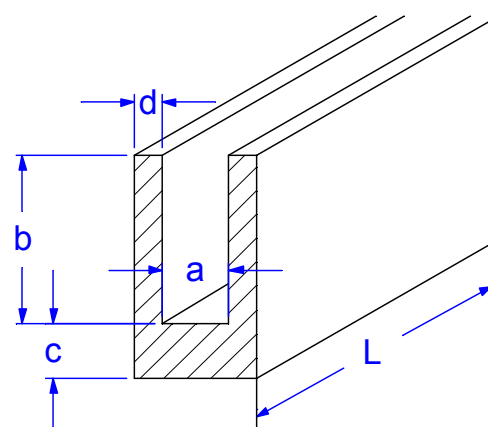


STOBIFORM - PU Protection Clip Profile

- Suitable for extreme loads
- Protection of lifted items and lifting sling
- Simple handling - can be assembled on-site
- Application area anywhere where the use of edge protection is not possible due to space
- Excellent for clipping into coil centres e.g. slit strips
- Also particularly suitable for round sling protection



When lifting relatively thin plates, mouldings or profiles, it is often not possible to use the PU edge protection.

If the use of protective sleeves is also not possible, due to limited space for example, then the use of PU protection clip profile is recommended.

The U - shaped profile can be cut slightly with a special rubber knife to the relevant length and is clipped onto the sharp edge before lifting.

This makes lifting sharp-edge steel plates, T-beams and L and U profiles safer. After use, simply remove for the next use.

Other sizes and designs on request

All sizes are approximate! Techn. changes reserved.

Status 01/12

Name	For material thickness	a	b	c	d	L	Weight per metre
	up to	mm	mm	mm	mm	mm	
SKLP5	5 mm	6	35	10	6	2000	0,80 Kg
SKLP10	10 mm	12	50	10	6	2000	1,00 Kg
SKLP15	15 mm	17	60	10	6	2000	1,20 Kg
SKLP20	20 mm	22	80	10	6	2000	1,60 Kg
SKLP25	25 mm	28	80	10	6	2000	1,65 Kg
SKLP30	30 mm	32	80	10	6	2000	1,70 Kg
SKLP35	35 mm	38	100	10	6	2000	2,00 Kg
SKLP40	40 mm	44	100	10	6	2000	2,10 Kg

Stockmeier & Nauer Kunststofftechnik
GmbH & Co. KG
Zeppelinstr. 16
32051 Herford
GERMANY
Tel. +49/5221/9265-0 Fax: - 10