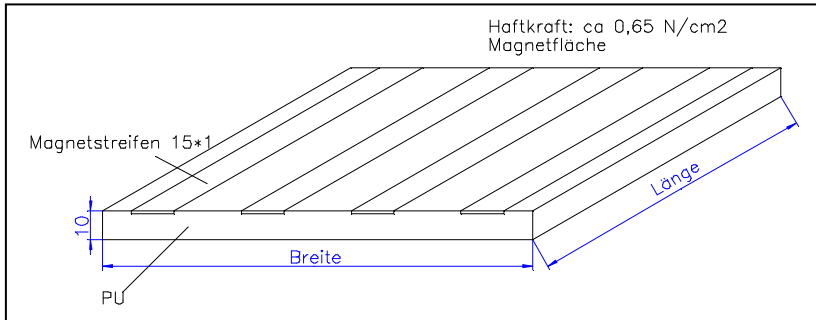


# STOBITEX - STOBITEX - PU Magnet Impact Protector (Heavy Load Impact Protector without Perforated Metal Insert with Magnetic Strips)



Magnetic Strips: width of 15 mm.  
magnetic retention force approx. 0,65 N/cm<sup>2</sup> magnetic surface

- Optimum shock absorption especially for heavy loads
- Noise reduction
- Cost minimisation
- Optimum alignment to the base without perforated metal insert
- Especially for static loads
- Quick application and removal  
Good slip protection due to magnetic underside

Available dimensions and weights in standard lengths of 2 m; standard dimensions are in bold

Width b (mm) ▼	Number of Magnetic strips	Weight/m (Kg)
<b>Thickness 10 mm</b>		
20	1	0,24 Kg/m
30	1	0,36 Kg/m
40	1	0,48 Kg/m
<b>50</b>	<b>2</b>	<b>0,60 Kg/m</b>
60	2	0,72 Kg/m
70	2	0,84 Kg/m
80	2	0,96 Kg/m
90	2	1,08 Kg/m
<b>100</b>	<b>3</b>	<b>1,20 Kg/m</b>
110	3	1,32 Kg/m
120	3	1,44 Kg/m
130	3	1,56 Kg/m
140	3	1,68 Kg/m
150	4	1,80 Kg/m
160	4	1,92 Kg/m
170	4	2,04 Kg/m
180	4	2,16 Kg/m
190	4	2,28 Kg/m
<b>200</b>	<b>5</b>	<b>2,40 Kg/m</b>
210	5	2,52 Kg/m
220	5	2,64 Kg/m
230	5	2,76 Kg/m
240	5	2,88 Kg/m
<b>250</b>	<b>6</b>	<b>3,00 Kg/m</b>
260	6	3,12 Kg/m
270	6	3,24 Kg/m
280	6	3,36 Kg/m
290	6	3,48 Kg/m
300	6	3,60 Kg/m

Stockmeier & Nauer Kunststofftechnik  
GmbH & Co. KG  
Zeppelinstr. 16  
32051 Herford  
Germany  
Tel. +49/5221/9265-0 Fax: - 10  
[info@stockmeier-nauer.de](mailto:info@stockmeier-nauer.de)